

INSTRUCTION MANUAL

Doc. no. MN1003E Rev. A - Jan 2016



ABSC-2048 Blast Machine - 140 ltr.



Manufactured by:

Airblast B.V.
P.O. Box 1075
1700 BB Heerhugowaard
The Netherlands

Tel. : + 31 72 5718002
Fax : + 31 72 5714340

Email: info@airblast.com
Web : www.airblast.com

Technical data

Capacity	:	140 liters
Max. system pressure	:	12 bar
Min. system pressure	:	5 bar
Max. compressed air temperature	:	50° C
Min. compressed air temperature	:	5° C
Max. ambient temperature	:	50° C
Min. ambient temperature	:	5° C
Dimensions (dia. x height)	:	486 x 1392 mm
Weight (bare and empty)	:	105 kgs.

INDEX

	Page
1.0 INTRODUCTION ABSC-2048 BLAST MACHINE	4
1.1 List of models	4
1.2 Safety instructions	4
2.0 OPERATION SET-UP	5
2.1 Set-up	5
2.2 Operation	5
2.3 Shut-down	5
3.0 MAINTENANCE	6
3.1 Replacement of the pop-up valve	6
3.2 Replacement of the pop-up o-ring	6
4.0 TROUBLESHOOTING	6
4.1 Blockages	6
4.2 Abrasive surge	6
4.3 Removal of moist abrasive	6
4.4 Keep these spares on hand to reduce downtime	6
5.0 DRAWING & PARTS LIST BLAST MACHINE	8
5.1 Abrasive control valves	10
6.0 INTRODUCTION RCV-125 REMOTE CONTROL SYSTEM	11
6.1 Product description	11
6.2 The blasting (on) action	11
6.3 The shut-down (off) action	11
6.4 System reliability	11
7.0 INSTALLATION PROCEDURES	12
7.1 System installation	12
7.2 Field installations	12
8.0 BLASTING OPERATIONS	12
8.1 Start-up	12
8.2 Blasting operation	12
9.0 MAINTENANCE	13
9.1 Valve disassembly	13
9.2 Valve assembly	13
9.3 Maintenance program	13
10.0 TROUBLESHOOTING	14
10.1 Keep these spares on hand to reduce downtime	14
11.0 DRAWING & PARTS LIST RCV-125 REMOTE CONTROL SYSTEM	15
11.1 RCV-125 remote control valve	15
11.2 DMH-125 deadman handle	15
12.0 AIR REQUIREMENT	16
Warranty	

1.0 - INTRODUCTION BLAST MACHINE

This manual covers the set-up, maintenance of the Model ABSC-2048 pressure type blast machine. Before using this equipment make sure that the people who operate and maintain this machine, read understand and follow all instructions in this manual. Store this manual on a safe place for future use, maintenance, troubleshooting and to order spares.

1.1 - List of models

Part no.	Capacity	Metering Valves				Operation		Other options	
		FSV Flat Sand Valve	GVA-32 Abrasive Metering Valve	SGV Steel Grit Valve	Micro Valve	Manual Operation	RCV-125 Remote Control System	Clearline Moisture Separator	Safety Valve Assembly
	140 liter								
1007010	•	•				•			
1007020	•	•				•		•	
1007030	•	•					•		
1007040	•	•					•	•	
1007050	•	•					•		•
1007060	•	•					•	•	•
1007310	•		•			•			
1007330	•		•				•		
1008010	•			•		•			
1008020	•			•		•		•	
1008030	•			•			•		
1008040	•			•			•	•	
1008050	•			•			•		•
1008060	•			•			•	•	•
1008911	•				•	•			
1008912	•				•	•		•	
1008913	•				•		•		
1008914	•				•		•	•	
1008915	•				•		•		•
1008916	•				•		•	•	•

Other configurations are available upon request.

1.2 - Safety instructions

1. Use protective equipment: abrasive-resistant clothing, safety shoes, leather gloves, ear protection, CE-approved air-fed helmet. Air for helmet must be supplied by a breathing air compressor or through a helmet air filter.
2. Check for possible silicosis hazards. Avoid dust.
3. Do not blast with damaged or worn equipment.
4. Point nozzle only at area being cleaned.
5. Use only proper dry and well-screened abrasives specifically intended blasting.
6. Keep unprotected workers out of the blast area.
7. Before blasting:
 - Check fittings and hose for wear.
 - Safety-wire couplings together.
 - Check helmet filters and air supply.
 - Check pop-up valve for alignment.
 - Test remote controls.
 - Make sure blast machine is adequately grounded.
8. Do not weld on blast machine, this voids approval.
9. Do not substitute Airblast parts or modified equipment in any way.



2.0 - OPERATION SET-UP

2.1 - Set-up

The set-up procedure for manual controlled blasting (without the use of a remote control system) is as follows:

- Make sure that the compressor is located upwind from the blasting area. Start the compressor and bring it up to operating pressure and temperature before beginning the blast cleaning operation.
- Open the bleed-off and choke valves (handles in parallel position with piping).
- Close the air inlet valve at the abrasive valve.
 - Closed valves:
 - sand valve : extreme position of handle to either side of the center of the valve.
 - grit valve : full clockwise position of the handle.
- Connect the compressed air line to the air inlet valve (for optimum blast cleaning performance use 3/4" ID air line or larger).
- Connect the blast hose quick connect coupling to the machine quick coupling. Check condition and proper placing of the rubber coupling gaskets.
- Fill the concave head of the machine with abrasive. The abrasive will pass the filling port into the machine.
- Put on all protective clothing.

2.2 - Operation:

To blast clean, the machine tender:

- Puts pressure to the air line of the blast machine.
- Closes the bleed-off valve.
- Opens the air inlet valve, when the blasting operator signals that he is ready. This causes sealing of the filling port by the pop-up valve and the blast machine will pressurize. Only air will come out of the nozzle.
- Adjusts the abrasive valve for proper air/abrasive mixture. General rule: use as little abrasive as possible. The abrasive stream coming out of the blast nozzle should hardly discolor the air when seen against whatever light source.
- Closes the air inlet valve and quickly opens the bleed-off valve to stop blasting.

2.3 - Shut-down

When shutting down for the day: empty the blast machine of all abrasive by removing the nozzle and putting the blast hose in a suitable waste container. Close the choke valve and put the handle of the abrasive valve in full open position. Then put pressure to the machine by opening the air inlet valve.

The blast machine should be covered if left out at site, in order to prevent moist abrasive to cause trouble when starting up blasting again.

ONLY USE ABRASIVE SPECIFICALLY MEANT FOR BLASTING,
NEVER USE UN-SCREENED OR MOIST ABRASIVES

3.0 - MAINTENANCE

3.1 - Replacement of the pop-up valve

Remove the inspection door assembly in order to get access to the Pop-up valve. Unscrew the Pop-up guide (page 8, item 7) by counter- clockwise turning. Remove both Pop-up valve and guide from the blast machine. Put the new Pop-up valve in the valve guide and then install them inside of the machine.

It is recommended to replace the inspection door gasket at the same time.

Do not forget to tighten the inspection door assembly back onto the machine.

3.2 - Replacement of the pop-up O-ring

Put your fingers between the Pop-up O-ring and the retainer and slowly remove the old O-ring. If necessary, use a screwdriver.

Push the new Pop-up O-ring trough the filling port and fit it into the retainer.

Pull up on the O-ring in order to get it into position.

4.0 - TROUBLESHOOTING

4.1 - Blockages

If neither abrasives nor air comes out of the blast nozzle, first depressurize the machine and then check if the nozzle is clogged. If only air comes out and no abrasive, fully open the abrasive valve and then quickly open and close the choke valve. If this fails, depressurize the machine, remove the inspection door assembly and check the inside of the machine for foreign objects (paper, etc.).

4.2 - Abrasive surge

When starting up, surge of abrasive is normal to some extend. However, if the abrasive surge should continue, the flow of abrasive can usually be stabilized by the quick opening and closing of the choke valve. An intermittent abrasive flow is sometimes caused by an excess of moisture in the blasting system. This problem in practice can be solved by installing a moisture/water separator in the air line, closest to the machine as possible.

4.3 - Removal of moist abrasive

In order to remove moist abrasive from the system, the blast hose has to be disconnected and the rubber gasket in the quick coupling on the machine has to be removed. The next step is to close the choke valve and open the abrasive valve. Force out any moist abrasive by pressurizing the machine.

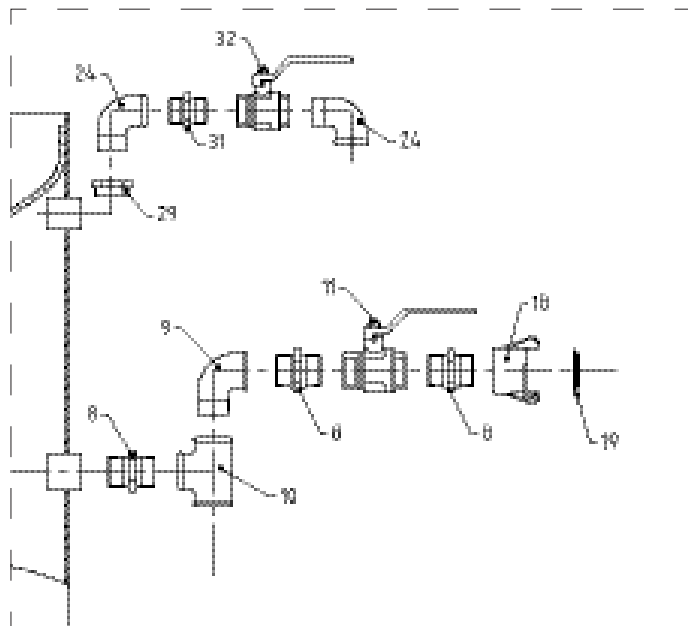
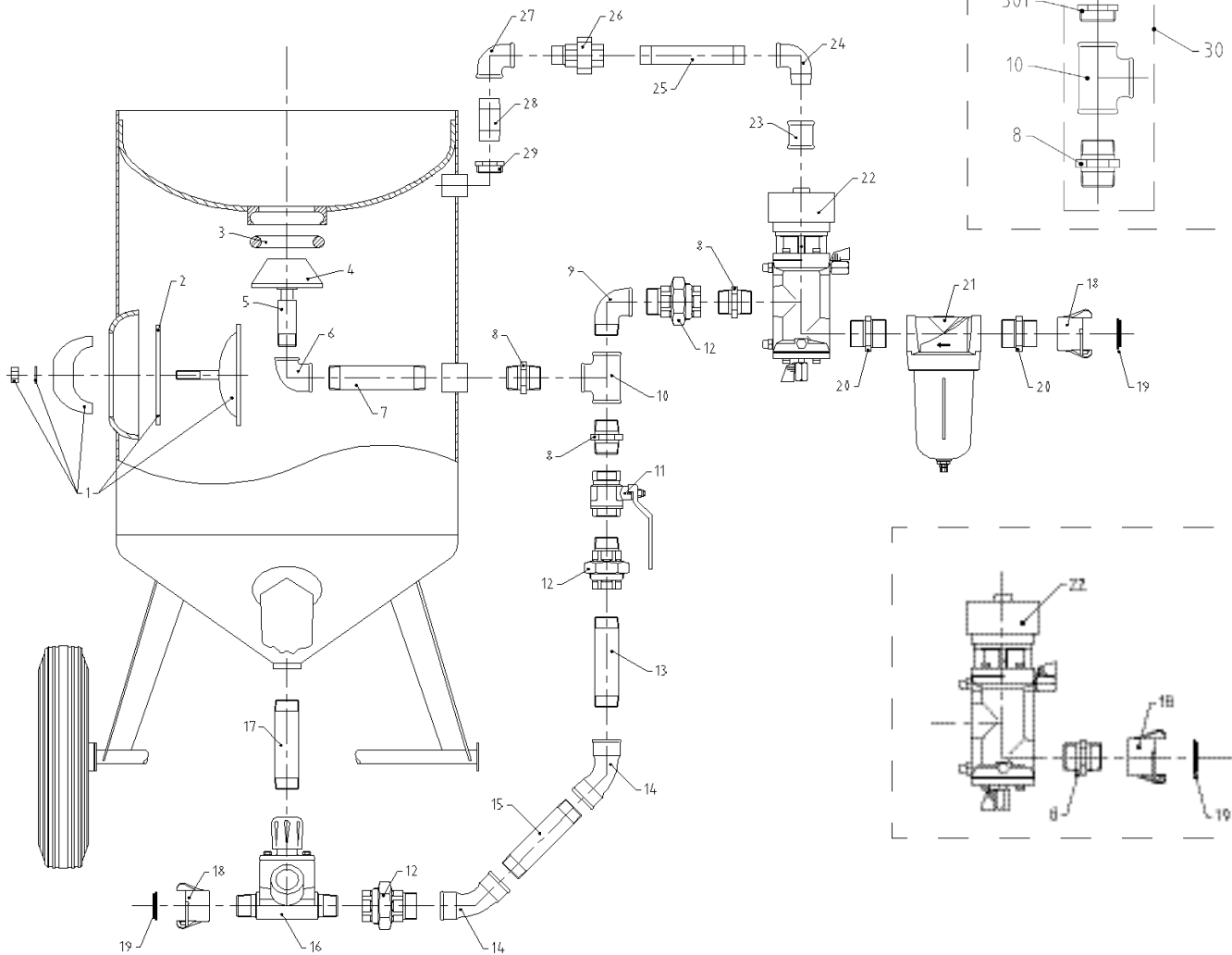
4.4 - Keep these spares on hand to reduce downtime

1188000 - P-5 Pop-up o-ring

SEE SEPARATE INSTRUCTION-PARTS LIST FOR REMOTE CONTROL SYSTEMS ON PAGE 15

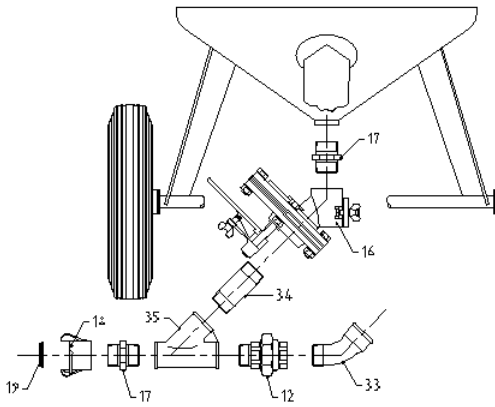
5.0 - DRAWING & PARTS LIST BLAST MACHINE

RCV-125 and Clearline 1½"

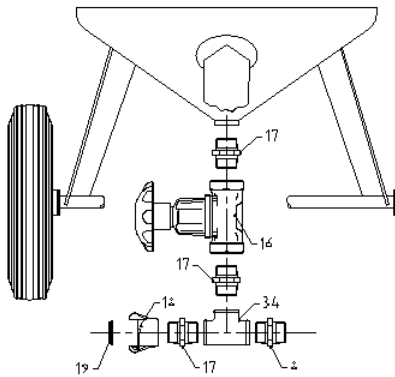


Item	Part no.	Description
1	1048000	Inspection door assy
2	1047000	Inspection door gasket
3	1192000	Pop-up O-ring
4	1188000	Pop-up valve with shaft, flat
5	1050000	Pipe 1", M
6	2259600	Elbow, 1¼" - 1", FF
7	1027000	Inner pipe nipple 1¼"
8	2225600	Hex nipple, 1¼", MM
9	2191600	Elbow, 1¼", FM
10	2211600	T-Piece, 1¼", FFF
11	1193000	Air valve, 1¼", FF
12	2249600	Union, 1¼", FM
13	1037001	Pipe nipple 1¼"
14	2193600	Elbow, 1¼", FF
15	1034000	Pipe nipple 1¼"
16	6080000	Micro Valve, 1¼"
17	1046000	P-31 Pipe nipple 100mm, 1¼", rubber lined
18	2163000	CFT Coupling, 1¼"
19	2165000	Rubber coupling gasket
20	2275800	Reduction nipple, 1½"- 1¼", MM
21	4057000	Clearline, 1½"
22	1202000	RCV-125/B remote control
23	2291100	Socket ¾", FF
24	2291000	Elbow, ¾", FM
25	2290900	Pipe nipple 100mm, ¾"
26	2290800	Union, ¾", FM
27	2290700	Elbow, ¾", FF
28	2290601	Pipe nipple 50mm, ¾", MM
29	2290500	Reduction ring, ¾" - 1", FM
30	1210000	Safety valve assembly
30a	4073200	Pressure gauge
30b	4101601	Reduction ring brass, ¼" X ⅛", FM
30c	8200906	Reduction ring brass, ¼" X ½", FM
30d	4101800	T-piece brass, ½", FFF
30e	2225300	Hex nipple, ½"
30f	2291800	Reduction ring, 1¼" X ½", FM
30g	1089900	Safety valve, ½" - 10 BAR
31	1112900	Air valve, ¾", FF
32	2225400	Hex nipple, ¾"
	1056000	Screen for ABSC-2048 (not shown)
	1060000	Cover for ABSC-2048 (not shown)

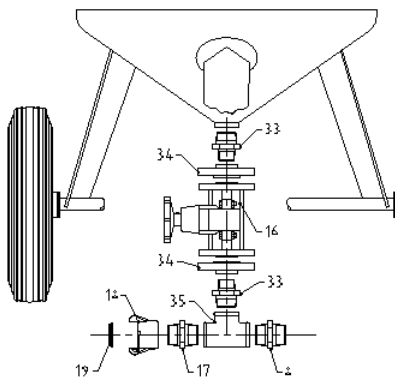
5.1 - Abrasive control valves



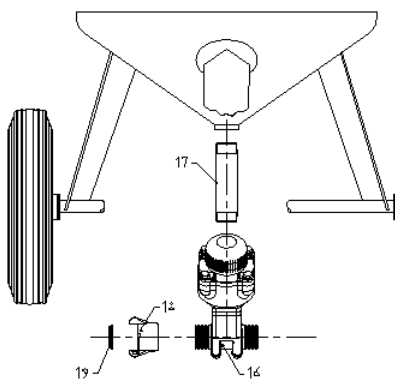
FSV Flat Sand Valve - set-up		
Item	Part no.	Description
12	2249600	Union, 1¼", MF
16	6001000	FSV Flat sand Valve 1¼"
17	1045000	P-32 Hex nipple, 1¼", rubber lined, MM
18	2163000	CFT Coupling, 1¼", F
19	2165000	Rubber coupling gasket
33	2191600	Elbow, 1¼", FM
34	1046000	P-31 Pipe nipple 100mm, 1¼", rubber lined, MM
35	1044000	P-8-R Y-piece, 1¼", rubber lined, FFF



GVA-32 Abrasive Membrane Valve - set-up		
Item	Part no.	Description
8	2225600	Hex nipple, 1¼", MM
16	6071000	GVA-32 Abrasive Membrane Valve,
17	1045000	P-32 Hex nipple, 1¼", rubber lined, MM
18	2163000	CFT Coupling, 1¼", F
19	2165000	Rubber coupling gasket
34	1044100	T-piece, 1¼", rubber lined, FFF



SGV Grit Valve, 1" - set-up		
Item	Part no.	Description
8	2225600	Hex nipple, 1¼", MM
16	6062000	SGV Grit Valve, 1"
17	1045000	P-32 Hex nipple, 1¼", rubber lined, MM
18	2163000	CFT Coupling, 1¼", F
19	2165000	Rubber coupling gasket
33	2275700	Reduction nipple, 1¼" X 1", MM
34	6063000	Flange for SGV
35	1044100	T-piece, 1¼", rubber lined, FFF



Thompson Valve II, 1¼"- set-up		
Item	Part no.	Description
16	6093400	Thompson Valve II, 1¼", TC
	6093500	Thompson Valve II, 1¼", Urethane
17	1046000	P-31 Pipe nipple 100mm, 1¼", rubber lined, MM
18	2163000	CFT Coupling, 1¼", F
19	2165000	Rubber coupling gasket

6.0 - INTRODUCTION RCV-125 REMOTE CONTROL SYSTEM

This manual covers the operation and maintenance of the RCV-125 remote control system for single chamber blast machines.

6.1 - Product description

The RCV-125 remote control system is designed to operate on all single chamber blast machines with 1¼" machine piping. The RCV-125 control valve consists of two valves incorporated in one housing. The lower valve switches the main air supply to the machine. The upper valve switches the blow-off connection of the blast machine.

The lower chamber is in direct connection with the compressor through the inlet port and the moisture separator. This implies that the red part of the twin-line control hose is continuously pressurized during operation. The blue part of the twin-line control hose is connected to the upper chamber via the ¼" port (item 13 page 15).

6.2 - The blasting (on) action

Activating the deadman handle causes a closed circuit in the twin-line control hose. The pressurized chamber causes the upper and lower valve to move away from each other.

In this position the supply air passes the lower valve to flow to the blast machine and nozzle. The upper valve closes the blow-off connection through the diaphragm.

6.3 - The shut-down (off) action

When the deadman handle is released, the red pressurized hose is connected to the atmosphere through a restriction in the connection to the deadman handle. At the same time the blue hose is unrestrictedly connected to the atmosphere via the deadman handle. In this situation the upper valve is forced down by the blow-off pressure so that the pressure inside the blast machine can escape through port into the bleed-off manifold chamber and then via the silencer to the atmosphere.



IMPORTANT: Always check before and after each day of operation possible water contents inside the valve by opening the drain petcock. If too much water is present, check water separator. The safety petcock shuts down the blasting operation when opened. This valve should be open during break-time.

6.4 - System reliability

In this system all moving and vital parts are separated from the air coming out of the blast machine during blow-off. The diaphragm prevents any damage to the valves parts if grit particles should occur in the blow-off airflow. Valve maintenance is easy to perform and does not require special tools.

7.0 - INSTALLATION PROCEDURES

7.1 - System installation

In your blast system all parts are included to set-up your remote controlled single chamber blasting operation. Apart from this literature it also includes the blast machine operations manual.



WARNING: Do not turn on the nipples too tight, especially to the control valve. This might damage some components and cause leakage.

To complete the installation, follow the instructions below:

- a. Make sure that the connections are air tight.
- b. Make sure that the colored or letter marked connections on the control valve and deadman handle are properly connected. Cross-linkage result in a not operational system.
- c. Tie the deadman handle properly down to the blast hose just behind the nozzle holder.
- d. It is recommended to tie the twin-line control hose to the blast hose at approx. every 1.5 mtrs.
- e. Connect the blast hose to the machine and nozzle.
- f. Connect the helmet air filter to the air supply from the machine piping and to the blast helmet.

7.2 - Field installation

Follow the instruction provided below to convert your manual blast machine to a remote controlled blast system:

- a. Remove the entire blow-off assembly from the blast machine.
- b. Remove the main air supply to the machine from the inlet elbow.
- c. Follow the instruction in paragraph 2.1.



IMPORTANT: Always use a moisture separator in combination with the remote control system to protect the control valve from excessive wear. It also optimizes the blasting operation.

8.0 - BLASTING OPERATIONS

8.1 - Start-up

Make sure to have full understanding of the blast machine manual before operating the remote control system.

- a. Check all connections from the compressor up to the nozzle and see to it that they are properly fixed (a loose-coming compressor air hose can cause serious damage).
- b. Make sure that the blast machine is filled with abrasive.
- c. Make sure to have taken the proper safety precautions for yourself and your environment:
 - proper clothing
 - clean air supply to the helmet
- d. Always check whether the lever of the deadman handle is in safe position with the lock upright.
- e. Close both petcocks on the control valve.
- g. Check for leakage. Air should escape from the hole underneath the lever of the deadman handle only and nowhere else. The system is now ready to be pressurized.

8.2 - Blasting operation

- a. Flip over the safety guard of the deadman handle and activate the lever (start blasting).
- b. To stop blasting, release the lever (the safety guard automatically flips back).



IMPORTANT: Always open the safety petcock on the control valve (opposite blue twin-line connection) during break time.

WARNING: The lever of the deadman handle must never be fixed in blast position. This can result in serious injury.

9.0 - MAINTENANCE

9.1 - Valve disassembly (see drawing page 15)

- a. Disconnect the control valve from the blast machine.
- b. Remove the nipple on the top of the control valve (pos. 17).
- c. Take off the bleed-off manifold with the silencer assembly. The silencer can be disassembled according to the breakdown drawing. Be careful with the silencer cartridge support adjustment during re-assembly.
- d. Remove the screws (pos. 16) to take away the top cover (pos. 3), the blow-off diaphragm (pos. 9), the bleed-off cylinder housing (pos. 2) and the bottom plate (pos. 8). Be careful with the packings (pos. 12).
- e. To remove bleed-off cylinder and piston (pos. 6 and 7), hold the piston sturdily with a proper tool (be careful not to damage the aluminum) and unscrew the screw (pos.16). O-rings and seals can now be inspected.
- f. To remove the inlet valve and piston for inspection (pos. 5 and 7), hold the inlet valve by means of a steel pin of 5 mm through the 1¼" machine connection side of the control valve. This pin fits into the hole in the center of the inlet valve. Release the screws (pos. 16) and take away the piston and inlet valve.

9.2 - Valve assembly

Re-assemble the control valve by reversing the steps of 9.1.



WARNING: NEVER RE-ASSEMBLE WORN PARTS.
THEY CAN DAMAGE THE CONTROL VALVE UNNECESSARILY

It is recommended to change the (*)-marked parts in the parts list in time to prevent excessive wear and damage to the control valve.

9.3 - Maintenance

DAILY:

1. Check the control valve for water contents. If water is present, check the condition of the water separator.
2. Check the rubber insert of the deadman handle on its proper condition. If it looks bad or damaged, replace it.
3. Check all hoses and fittings on condition and proper fixation.

MONTHLY (OR AFTER EACH CYCLE OF 160 WORKING HOURS):

1. Check the condition of the silencer and its piping.
2. Check all air connections for leaks.
3. Disassemble the control valve by following the steps of 9.1 and check all moving parts. If they look worn, replace to prevent unnecessary damage. Assemble the valve and grease the moving parts with general purpose lubrication oil.

10.0 - TROUBLE SHOOTING

The following checklist can be used to trace a problem in case the remote control system does not function properly:

1. Review instructions in this manual.
2. Inspect all air hoses and connections for air-leaks.
3. Be sure that the safety and drain petcocks are closed.
4. Check the deadman handle for air-leaks:
 - in released position air should only be escaping from the body hole.
 - in the pressed position no air at all may escape from the handle.

PROBLEM	CAUSE	REMEDY
No air escapes from the body hole in the deadman handle.	Twin-hose clogged and/or squeezed.	Remove the twin-line and check for blockage.
The system will not start.	Safety petcock still open. Insufficient air supply to the blast all parts should move machine	Close safety petcock disassemble control valve, all parts should move freely
After starting, the system will not stop.	Clogged deadman handle channels. Hose connections switched. Defect control valve.	Remove handle and clean it. Check connections and modify if switched. Disassemble valve and check proper operation.

10.1 - Keep these spares on hand to reduce downtime

1205000 - RCV-125 Repair kit

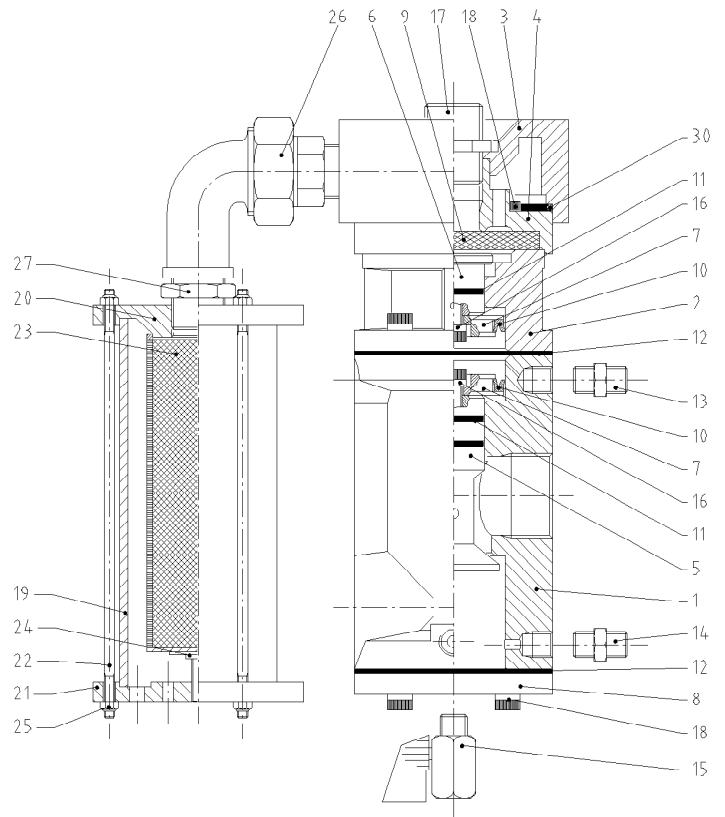
1203600 - Rubber insert for DMH-125

11.0 - DRAWING & PARTS LIST RCV-125 REMOTE CONTROL SYSTEM

11.1 - RCV-125 Remote control valve

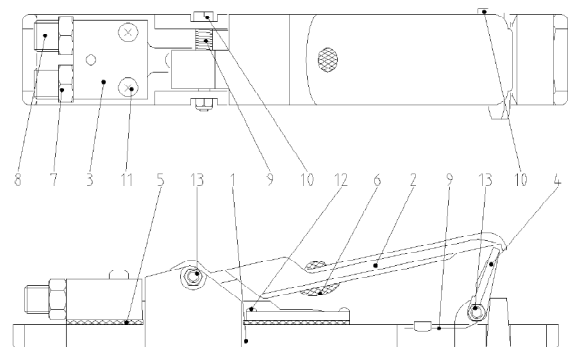
Item	Part no.	Description	Qty
01	1206000	Valve housing	1
02	1206100	Bleed-off cylinder housing	1
03	1206200	Bleed-off manifold	1
04	1206300	Top cover	1
05	1206400	Inlet valve	1
06	1206500	Bleed-off cylinder	1
07	1206600	Piston	2
08	1206700	Bottom plate	1
09	1206800	Diaphragm	* 1
10	1206900	Piston seal	* 2
11	1207000	O-ring	* 3
12	1207100	Packing	* 2
13	1178000	Brass hex nipple 1/4"	1
14	1178000	Brass hex nipple 1/4"	1
15	1152000	Ball valve 1/4"	2
16	1207200	Piston screw 8x15	2
17	2225400	Hex nipple 3/4"	1
18	1207400	Screw 8x25	12
19	1207600	Silencer housing	1
20	1207700	Silencer top cover	1
21	1207800	Silencer bottom plate	1
22	1207900	Silencer housing pin 5x215	3
23	1208000	Silencer cartridge	1
24	1208100	Silencer cartridge support	1
25	1208600	Nut	6
26	1208400	Union elbow	1
27	2225400	Hex nipple 3/4"	1
28	1208700	Check valve (not shown)	1
29	1207500	Plug 1/4" (not shown)	1
30	1209600	O-ring	* 1

All *-marked items are included in RCV-125 Repair kit (art.nr. 1205000) in the quantities shown.



11.2 - DMH-125 deadman handle

Item	Part no.	Description	Qty
01	1203100	Handle body	1
02	1203200	Lever	1
03	1203300	Pneumatic manifold	1
04	1203400	Lever safety lock	1
05	1203500	Gasket	1
06	1203600	Rubber insert	1
07	1203700	Reduction nipple 1/4" x 1/8" (restricted)	1
08	1203800	Reduction nipple 1/4" x 1/8"	1
09	1203900	Spring	2
10	1204000	Screw 5x40	2
11	1204100	Screw 4x25	2
12	1204200	Screw 4x10	4
13	1204300	Lock nut	2



12.0 - AIR REQUIREMENT

Minimum Air Volume Table Air Volume Requirements at 7 bar (100 PSI) for a Complete Blast System					
Nozzle	Size of orifice	Volume of air	Plus helmet	Plus 50% (reserve)	Minimum air required
No. 4	1/4"	81	20	50	151 cfm
	6.5 mm	2.3	0.5	1.4	4.2 m ³ /min.
No. 5	5/16"	137	20	79	236 cfm
	8.0 mm	3.9	0.5	2.2	6.6 m ³ /min.
No. 6	3/8"	196	20	108	324 cfm
	9.5 mm	5.5	0.5	3.0	9.0 m ³ /min.
No. 7	7/16"	254	20	137	411 cfm
	11.0 mm	7.2	0.5	3.9	11.6 m ³ /min.
No. 8	1/2"	338	20	179	537 cfm
	12.5 mm	9.6	0.5	5.0	16.1 m ³ /min.

WARRANTY

Airblast warrants all equipment manufactured by it and bearing its name to be free from defects in material and workmanship on the date of sale by an authorized Airblast distributor to the original purchaser for use. As purchaser's sole remedy for breach of this warranty, Airblast will, for a period of twelve months from the date of sale, repair or replace any part of the equipment proven defective.

This warranty applies only when the equipment is installed, operated and maintained in accordance with Airblast's written recommendations.

This warranty does not cover, and Airblast shall not be liable for, any malfunction, damage or wear caused by faulty installation, misapplication, abrasion, corrosion, inadequate or improper maintenance, negligence, accident, tampering, or substitution of non-Airblast component parts. Nor shall Airblast be liable for malfunction, damage or wear caused by the incompatibility with Airblast equipment of structures, accessories, equipment or materials not supplied by Airblast, or the improper design, manufacture, installation, operation or maintenance of structures, accessories, equipment or materials not supplied by Airblast.

This warranty is conditioned upon the prepaid return of the equipment claimed to be defective to an authorized Airblast distributor for verification of the claim. If the claimed defect is verified, Airblast will repair or replace free of charge any defective parts. The equipment will be returned to the original purchaser transportation prepaid. If inspection of the equipment does not disclose any defect in material or workmanship, repairs will be made at a reasonable charge, which charges may include the costs of parts, labor and transportation.

DISCLAIMERS AND LIMITATIONS

The terms of this warranty constitute purchaser's sole and exclusive remedy and are in lieu of any other warranties (express or implied), including warranty of merchantability or warranty of fitness for a particular purpose, and of any non-contractual liabilities, including product liabilities, based on negligence or strict liability. Every form of liability for direct, special or consequential damages or loss is expressly excluded and denied. In no case shall Airblast's liability exceed the amount of the purchase price. Any action for breach of warranty must be brought within two (2) years of the date of sale.

EQUIPMENT NOT COVERED BY AIRBLAST WARRANTY

Airblast makes no warranty, and disclaims all implied warranties of merchantability and fitness for a particular purpose, with respect to accessories, equipment, materials, or components sold but not manufactured by Airblast. These items sold, but not manufactured by Airblast (such as electric motor, switches, hose, etc.) are subject to the warranty, if any, of their manufacturer. Airblast will provide purchaser with reasonable assistance in making any claim for breach of these warranties.

FOR TECHNICAL ASSISTANCE OR TO PLACE AN ORDER, send an email to info@airblast.com
or call this number: 0031 (0)72 5718 002.

Sales Offices:

United Arab Emirates, Saudi Arabia, Qatar, Singapore, Malaysia, Indonesia, China, India and Australia.

AIRBLAST B.V. – P.O. BOX 1075 – 1700 BB HEERHUGOWAARD – THE NETHERLANDS
www.airblast.com