

NOVA

Air Supplied Blast Helmet



AIRBLAST



The NOVA Blast Helmet is the most advanced Abrasive Blasting Helmet available.

The Nova blast helmet provide you with more comfort, less fatigue, better protection and improved productivity. The Nova blast helmet has been designed by and for blasting professionals.

The Nova blast helmet is fitted with lightweight pillow foam padding that distributes the weight of the helmet evenly over the head; this removes the top heavy feeling.

The Nova blast helmet is approved by several certifying bodies including NIOSH, CE and Standards Australia.

The Nova blast helmet meets requirements for ANSI Z87.1 Eye Protection and ANSI Z89.1 Head Protection.

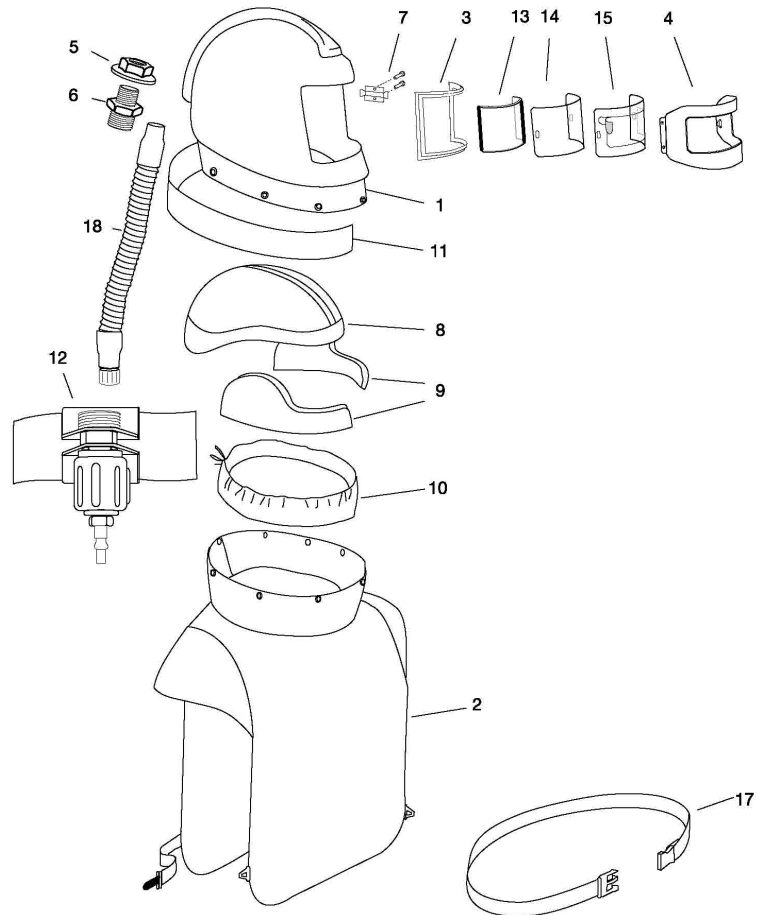
The Nova blast helmet provides an Assigned Protection Factor (APF) of 1000.

NOVA Assembly

Part no.	Description
4700000	Nova Air Supplied Blast Helmet, complete with - In-helmet low flow warning device - Breathing air tube assy - Adjustable flow control valve and nylon belt - Nylon cape - CE approved to EN 271

NOVA Parts List

Item	Part no.	Description
01	4700100	Helmet shell
02	4700500	Nylon cape c/w inner bib
03	4702400	Window frame gasket
04	4702500	Visor with hinge and screws
05/06	4702700	Air inlet assy
07	4702800	Visor latch and screws
08	4701100	Polystyrene helmet liner (medium)
09	4701700	Sidewings (medium)
10	4701000	Inner bib
11	4705100	Cape cover band
12	4601600	Flow control valve and belt
13	4703600	Inner lens (pack of 10)
14	4703800	Outer lens (pack of 50)
15	4703700	Tear-off lens (pack of 50)
17	4601700	Belt with buckles
18	4601400	Breathing air tube



NOVA Optional Accessories

Part no.	Description
4320001	CCT Climate Control Tube complete with belt and regulator. Fits directly to breathing tube of Nova Blast Helmet to supply a continuous flow of cool or warm compressed air to your blast helmet.